



I-8060W

6-Channel Relay Output Module

Features

- 6-Channel Relay Output
- Form C Power Relay Output
- Each digital channel has its own status LED
- 4 kV ESD Protection
- Wide Operating Temperature Range: -25 ~ +75 °C



Introduction

The I-8060W module provides 6 Form C Relay Output channels. The I-8060W includes 6 LED indicators that can be used to monitor the status of the Relay Output. ± 4 kV ESD protection and 1500 VDC intra-module isolation are also provided to enhance the noise protection capabilities of the module in harsh industrial environments.

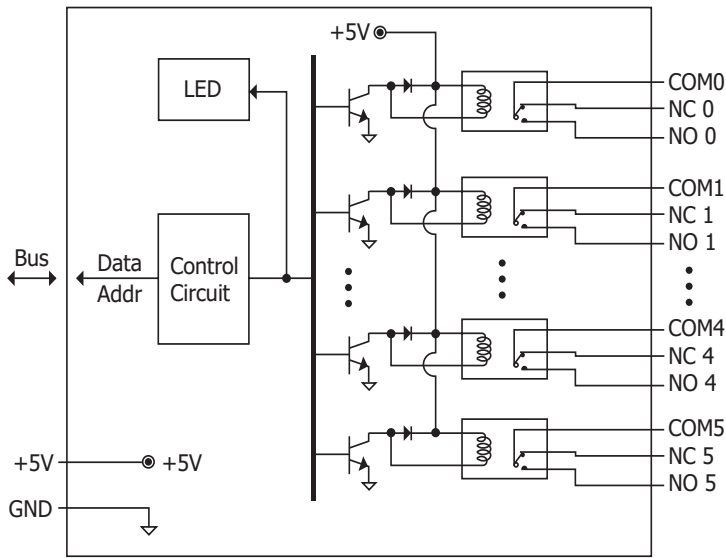
System Specifications

LED Indicators	
System LED Indicator	1 LED as Power Indicator
I/O LED Indicator	6 LEDs as Relay Output Status Indicator
EMS Protection	
ESD (IEC 61000-4-2)	± 4 kV Contact for each Terminal
Power	
Consumption	1 W Max.
Mechanical	
Dimensions (W x L x H)	30 mm x 88 mm x 115 mm
Environment	
Operating Temperature	-25 ~ +75 °C
Storage Temperature	-30 ~ +85 °C
Humidity	5 ~ 95 % RH, Non-condensing

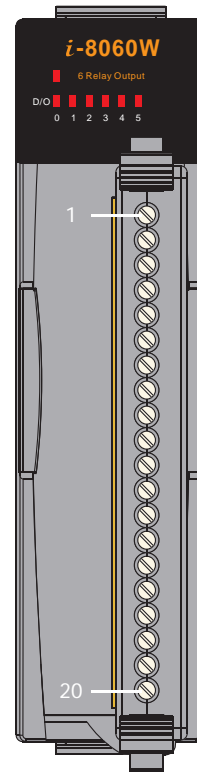
I/O Specifications

Relay Output/Digital Output	
Channels	6, Form C
Type	Power Relay
Contact Rating	0.5 A @ 125 VAC; 0.25 A @ 250 VAC; 2 A @ 30 VDC
Operate Time	10 ms Max.
Release Time	5 ms Max.
Electrical Endurance	500,000 Min. @ 30 VDC @ 2 A, Resistive
Mechanical Endurance	100,000,000 Min.
Surge Strength	Between Open Contacts : 1000 Vrms (at 1 Minute) Between Coil and Contacts : 1500 Vrms (at 1 Minute)

Internal I/O Structure



Pin Assignments

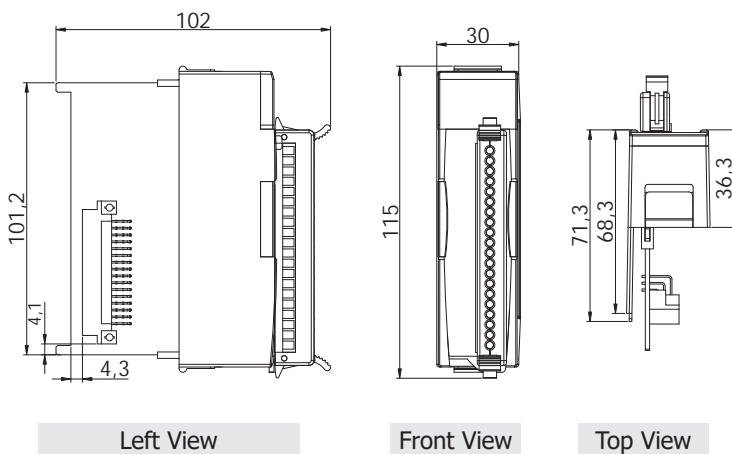


Terminal No.	Pin Assignment
01	NO0
02	NC0
03	COM0
04	NO1
05	NC1
06	COM1
07	NO2
08	NC2
09	COM2
10	NO3
11	NC3
12	COM3
13	NO4
14	NC4
15	COM4
16	NO5
17	NC5
18	COM5
19	-
20	-

Wire Connections

Input Type	ON State Readback as 1	OFF State Readback as 0
	Relay ON	Relay OFF
Relay Contact		

Dimensions (Units: mm)



Ordering Information

I-8060W-G CR	6-channel Form C Power Relay Module (RoHS)
---------------------	--